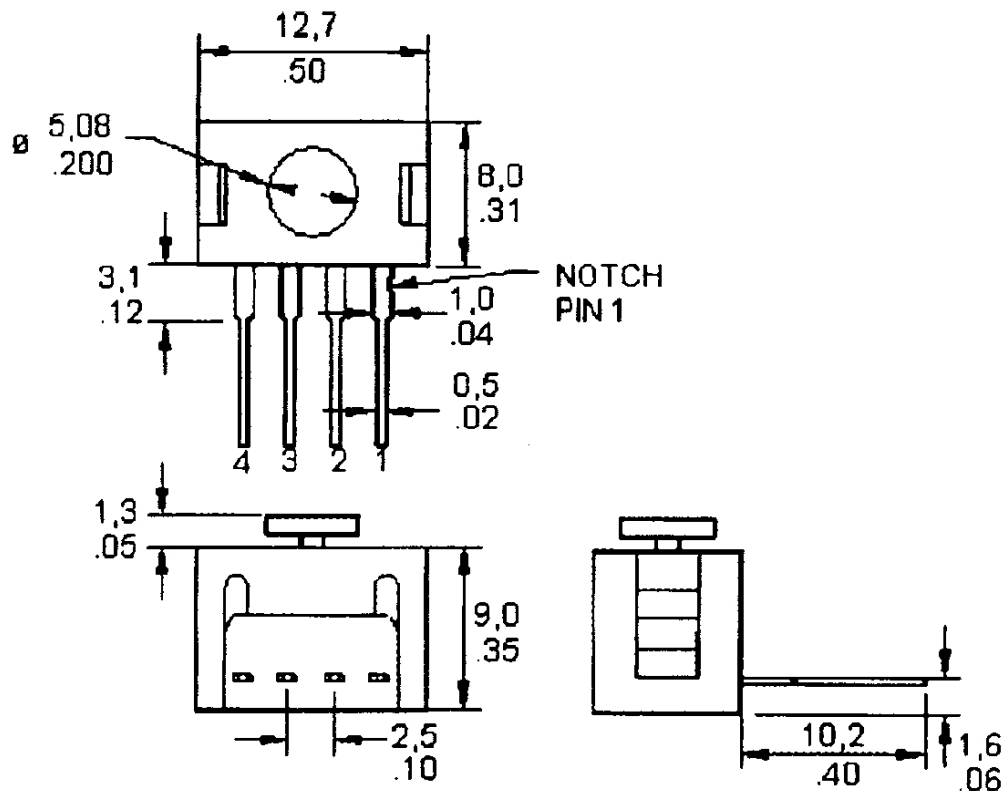


MOUNTING DIMENSIONS (for reference only)



PERFORMANCE CHARACTERISTICS @ 10.0 ±0.01 VDC, 25°C

Parameter	Min.	Typ.	Max.	Units
Excitation*	—	10.0	12.0	VDC
Null offset	-30	0	30	mV
Operating Force	0	—	1500	grams
Sensitivity	0.20	0.24	0.28	mV/gram
Linearity (B.F.S.L.)**	—	±22.5	45	grams
Null Shift				
+25°C to 0°C, +25°C to +50°C	—	±1.0	—	mV
Sensitivity Shift				
+25°C to 0°C	—	0.012	—	mV/gram
+25°C to +50°C	—	-0.012	—	mV/gram
Hysteresis	—	45	180	grams
Repeatability (@ 1500 grams)	—	30	120	grams
Input Resistance	4.0 K	5.0 K	6.0 K	Ohms
Output Resistance	4.0 K	5.0 K	6.0 K	Ohms
Overforce	—	—	4,500	grams

ENVIRONMENTAL SPECIFICATIONS

Operating Temperature	-40° to 85°C (-40° to +185°F)
Storage Temperature	-55° to +105°C (-131° to +221°F)
Vibration	Qualification tested to 10 Hz to 2 kHz, 20 g sine
Shock	Qualification tested to 150 g, 6 ms, half-sine
Solderability	5 sec at 315°C per lead
Output ratiometric	Within Supply Range

**B.F.S.L.—Best Fit Straight Line

Note: All force related specifications established using dead weight or compliant force.